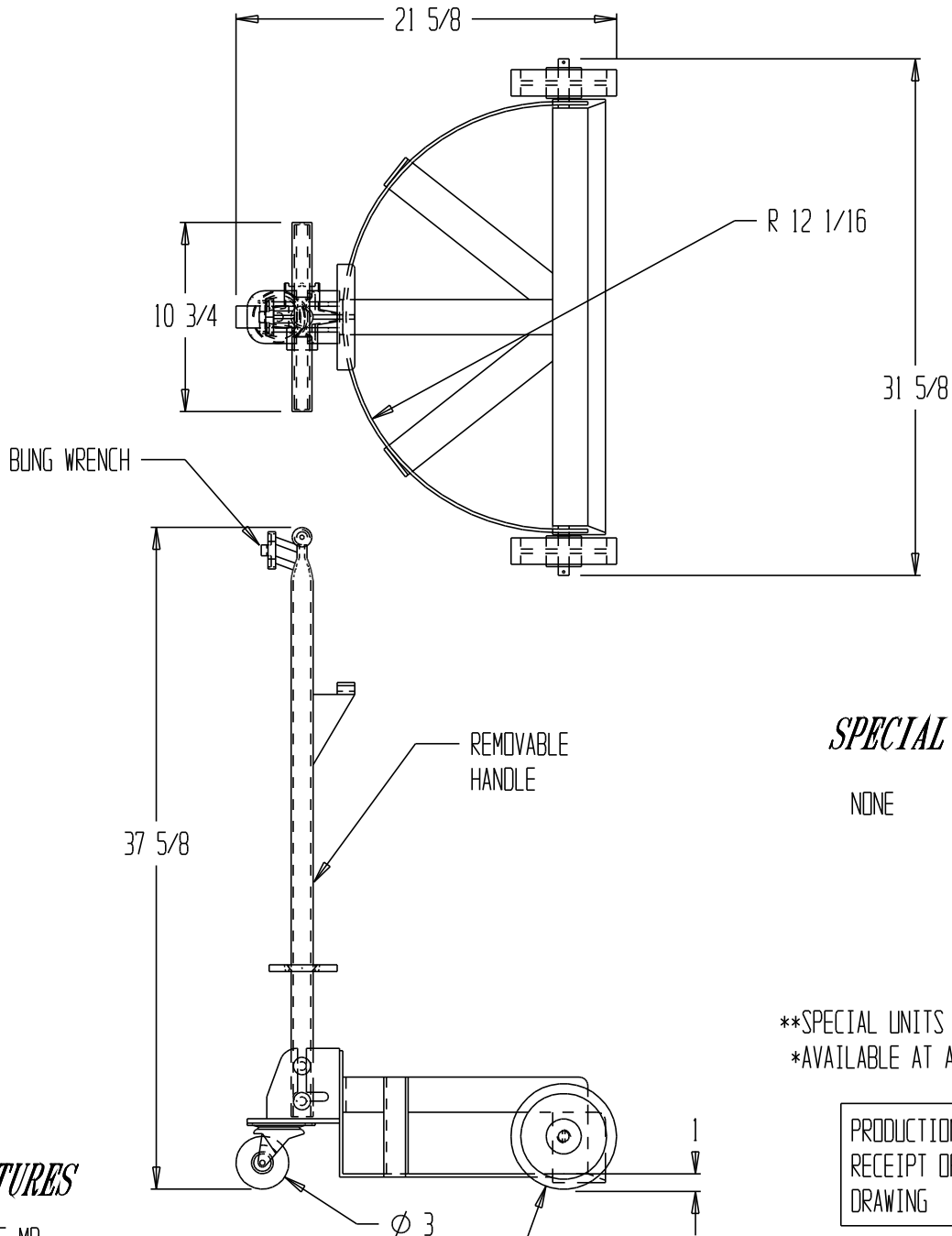


LOW PROFILE DRUM DOLLY, LO-DC-MR



STANDARD FEATURES

MODEL NUMBER: LO-DC-MR
 CAPACITY: 1,000 LBS
 CASTERS: (2) - FRONT, Ø 6" - MOLD-ON-RUBBER WHEELS
 (1) - BACK, Ø 3" - SWIVEL
 OVERALL LENGTH: 21 5/8 INCHES
 OVERALL WIDTH: 31 5/8 INCHES
 OVERALL HEIGHT: 37 5/8 INCHES
 INCLUDES REMOVABLE PIVOTING HANDLE
 W/ BUILT IN BUNG NUT WRENCH,
 SEAL REMOVER AND DRUM LIFTER BAR

SPECIAL FEATURES

NONE

**SPECIAL UNITS ARE NON-RETURNABLE
 *AVAILABLE AT ADDITIONAL COSTS

PRODUCTION WILL START UPON RECEIPT OF SIGNED APPROVAL DRAWING

A
 P
 P
 R
 O
 V
 A
 L

I, THE UNDERSIGNED, AGREE THAT THE PRODUCT AS REPRESENTED SATISFIES DESIGN & DIMENSION REQUIREMENTS. I ALSO ACKNOWLEDGE MY DUTY TO CONFIRM PRODUCT & INSTALLATION COMPLIANCE WITH ALL APPLICABLE FEDERAL, STATE AND LOCAL REGULATIONS & STANDARDS.

ALL SPECIAL UNITS ARE NON-RETURNABLE
 [] As drawn [] As marked

Signed: _____ Date: _____

LEAD TIME WILL START UPON RECEIPT OF SIGNED APPROVAL DRAWING

DISTRIBUTOR'S NAME: VESTIL MFG		P.O.#: -
DRAWN BY: TJM		DATE: 1/30/2012
REFERENCE: -	SCALE: 1:10	SALES: -
QUOTED LEADTIME: -	QUOTE #: -	DRWG./FILE NAME: 16-007-118